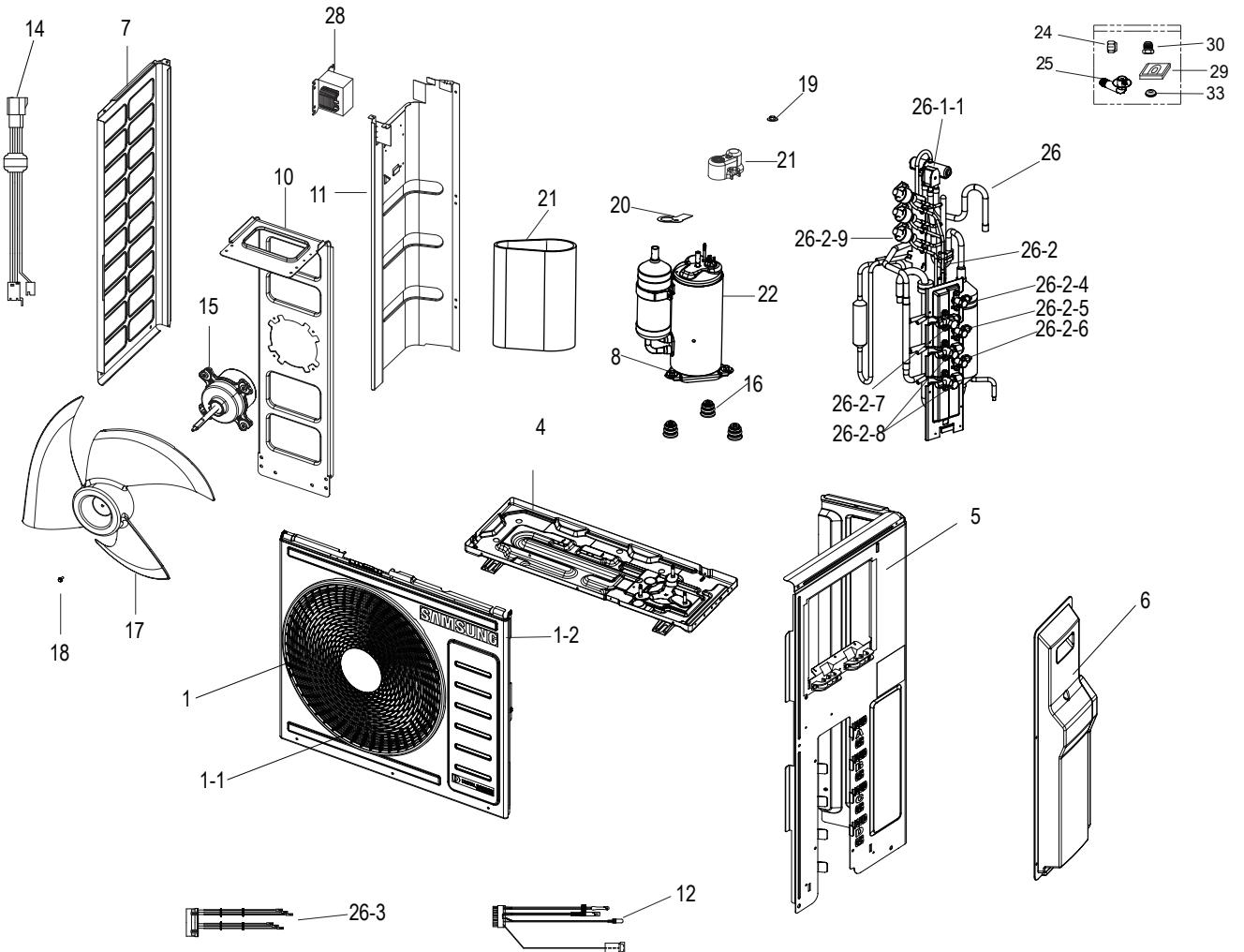
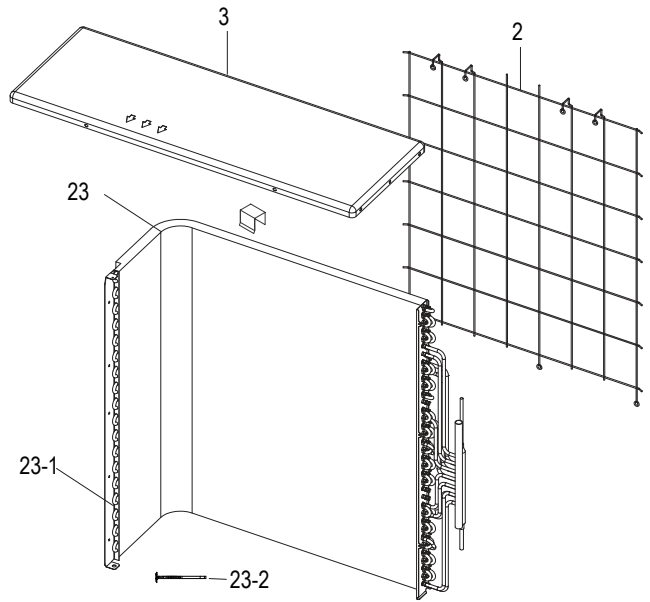
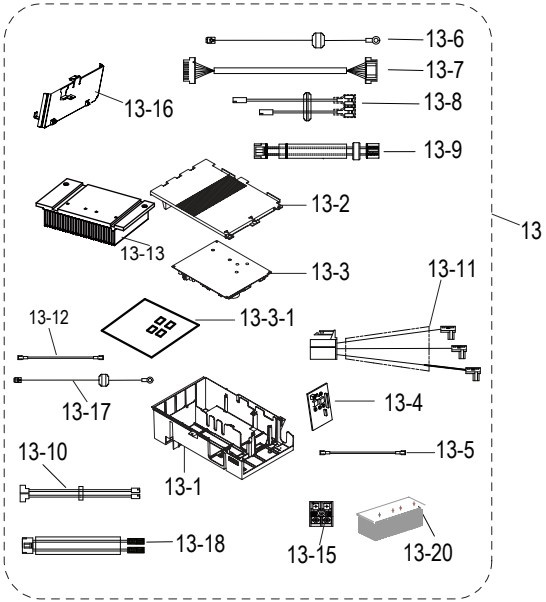


Outdoor Unit

AJ024BXJ3CH/AA



■ Part List: AJ024BXJ3CH/AA

No.	Code No.	Description	Specification	Q'ty	SASNA
1	DB90-11282D	ASSY CABI FRONT	AJ020TXJ2CH/AA,P520	1	SA
1-1	DB63-04021A	GUARD FAN	P chassis,PP,T2.5,EARTH BROWN	1	SA
1-2	DB64-03201B	LOGO	Outdoor Unit,PVC,T0.1,200,286C,tran	1	SA
2	DB63-04169A	GUARD COND	MH080,HSWR	1	SA
3	DB90-07183N	ASSY CABI TOP	P520,PMA	1	SA
3-1	DB64-00967B	HANDLE-OUTDOOR	FAC,PP,T3,W24.8,L110,MT62	1	SA
4	DB90-10990C	ASSY BASE OUT	P520,48F,PMA	1	SA
5	DB90-11278C	ASSY CABI SIDE-RH	AJ020TXJ2CH/AA,FJM AA	1	SA
6	DB90-11281A	ASSY COVER-VALVE	AJ068RCJ3EG/EU,P520	1	SA
7	DB90-11279B	ASSY CABI SIDE-LF	AR18TSFACWKXCV,P-520 N	1	SA
8	DB60-30028A	NUT-FLANGE	HWH,M8,ZPC(WHT),SWRCH18A,P1.2	3	SA
9	DB82-06294A	A/S ASSY-EEPROM	AJ024BXJ3CH,AA,P,PF#3	1	SA
10	DB90-11280A	ASSY BRACKET MOTOR	KFRD-72W/MSD,FAC,SSEC	1	SA
11	DB94-07644A	ASSY PARTITION	RJ080F4HXEA	1	SA
12	DB95-05268A	ASSY THERMISTOR OUT	103FW,6P,450/600/800	1	SA
13	DB92-05164A	ASSY PBA KIT-OUT MODULE	OUTDOOR,FJM,P/Q	1	SA
13-1	DB61-07236A	CASE CONTROL	NEW #3 CONTROLLER,ABS,T2,L3	1	SA
13-2	DB63-02817A	COVER-CONTROLLER	AFN-SD232T*,ABS,T2.2,W3	1	SA
13-3	DB92-04027B	ASSY PCB INVERTER	INVERTER,PF3_17S,160mm	1	SA
13-3-1	3501-001268	RELAY-POWER	12V,0.9W,2500mA,1FormA,20ms	1	SA
13-4	DB92-05157A	ASSY PCB MAIN-OUT	OUTDOOR,FJM,180*80,220	1	SA
13-4-1	DB93-12483A	ASSY PCB SUB-EEPROM	SUB,DVMPPLUS4 UP,20*2	1	SA
13-5	DB93-11280B	ASSY CONNECTOR WIRE-TERMINAL BLOCK	1101	2	SNA
13-6	DB93-10906B	ASSY CONNECTOR WIRE-EARTH	1,1015,18,YEL/	1	SA
13-7	DB93-17033A	ASSY CONNECTOR WIRE-DC SIGNAL	8,2095,26,	1	SA
13-8	DB93-16973B	ASSY CONNECTOR WIRE-POWER	2,1015,14,BRN,	1	SA
13-9	DB93-16974A	ASSY CONNECTOR WIRE-POWER	2,1015,18,BRN,	1	SA
13-10	DB93-17175A	ASSY CONNECTOR WIRE-REACTOR	2,1015,16,WH	1	SA
13-11	DB93-11274B	ASSY CONNECTOR WIRE-COMP OUT	3,3343,14,R	1	SA
13-12	DB93-11280A	ASSY CONNECTOR WIRE-TERMINAL BLOCK	1101	2	SNA
13-13	DB62-12477A	HEAT SINK	FJM2 PF3 MODEL,AI,SCREW,32PIN	1	SA
13-14	DB37-00027B	TERMINAL BLOCK	HB-P/J,PBT,Max2.5MM*2,36.	1	SA
13-15	DB37-00037A	TERMINAL BLOCK	4P(8SCREW),MELAMINE,600V,	1	SA
13-16	DB61-07235A	CASE PCB	NEW #3 CONTROLLER,ABS,T2,L185.3	1	SA
13-17	DB93-10906A	ASSY CONNECTOR WIRE-EARTH	1,1015,18,YEL/	1	SA
13-18	DB93-16402A	ASSY CONNECTOR WIRE-COMM	2,1007,22,RED,Y	1	SA
13-19	DB91-00933A	ASSY-SCREW MACHINE	MH*, FJM,M3, L12	4	SNA
13-20	DC62-00243C	HEAT SINK	HUDSON,AI,T2.5,W11,L15,WHITE,H	1	SA
13-21	3501-001154	RELAY-MINIATURE	12V,200mW,3000mA,1FormA,	3	SNA
13-22	DB93-17517A	ASSY CONNECTOR WIRE-HIGH PRESSURE POWER		1	SA
14	DB93-10905B	ASSY CONNECTOR WIRE-COMP	3,1015,14,RED,M	1	SA
15	DB31-00579A	MOTOR FAN	FMCB531SSK,124[W],1050RPM,DC31	1	SA
16	DB63-02297A	GROMMET ISOLATOR	48F,NR,L32.5,ID11.5,OD2	3	SA
17	DB94-04381A	ASSY FAN PROPELLER	DVM S ECO,520	1	SA
18	6021-001142	NUT-HEXAGON FLANGE	M5,ZPC(WHT),SWRCH10A,	1	SA
19	DB60-00405A	FASTENER-WASHER	RC100ZHXA,SWRCH10A,M8	1	SA
20	DB63-01416C	GASKET	A/C model,SIR,T1.2,25.0,L55,A/C m	1	SA
21	DB63-02029A	FELT-COMP SOUND A	MH040,FELT/PVC,T5+T1.6	1	SC
22	DB95-05898A	ASSY COMP PARTS	AJ024BXJ3CH/AA,SSEC	1	SNA
22-1	DB63-02312A	COVER TERMINAL	39F,44F,48F,SABICN1250,2.	1	SA
23	DB96-24588A	ASSY COND BENDING	P,L906.8mm	1	SA
23-1	DB96-24589A	ASSY COND SUB	AJ068FCJ3EH/EU,FJM SSEC	1	SNA
23-2	DB81-00635A	SPRING ETC-SENSOR	DVM-SYSTEM,STS304,R2.5	2	SA
24	DB60-30010B	FASTENER-NUT FLARE	AR12RV3HEWKXNA,BRASS	2	SA
25	DB67-00477A	DRAIN-PLUG OUT	UH140GZMC,PP,WHITE,SSEC	1	SA
26	DB96-24980B	ASSY TUBE SERVICE-BRACKET	AJ024TXJ3CH/AA	1	SA
26-1	DB96-24982A	ASSY TUBE 4WAY	AJ024TXJ3CH/AA	1	SA
26-1-1	DB95-01612C	ASSY-SOLENOID	RAC,SSEC	1	SNA
26-2	DB96-24983D	ASSY TUBE EEV	AJ024TXJ3CH/AA,Sanhua T-ty	1	SA
26-2-1	DB81-00635A	SPRING ETC-SENSOR	DVM-SYSTEM,STS304,R2.5	6	SA
26-2-2	DB95-05268A	ASSY THERMISTOR OUT	103AT,AC,200,10	1	SA
26-2-4	DB62-09652A	VALVE SERVICE-SPINDLE	FLARE,R410A,6.35	1	SA
26-2-5	DB62-09652A	VALVE SERVICE-SPINDLE	FLARE,R410A,6.35	1	SA
26-2-6	DB62-09652A	VALVE SERVICE-SPINDLE	FLARE,R410A,6.35	1	SA
26-2-7	DB62-09654A	VALVE SERVICE-SPINDLE	FLARE,R410A,9.52	1	SA
26-2-8	DB62-09656A	VALVE SERVICE-SPINDLE	.,1/2",R410A, FLAR	2	SA
26-2-9	DB62-11421D	VALVE COIL EXPAN	DC12V,COIL,1000mm,MOLDI	1	SA
26-3	DB32-00278B	SENSOR TEMP	103AT,WB20M-024-411/WHT,L750	1	SA
28	DB27-00100A	COIL HARMONIC	5mH,86.0x94.5xTmm,20A,-	1	SA
29	DB73-20134A	RUBBER-LEG	V2-MD,NBR,10,BLACK	4	SA
30	DB67-00789A	NIPPLE-CONNECTOR	MH080FXEA4A,C3771,L41,C	2	SNA
31	G8T260FUA EW	RCP,COMP,CPR,,R410A		1	SA
32	DB94-08780A	ASSY FAN OUT-MODULE	ASSY FAN PROPELLER D	1	SA
33	DB63-10355C	SEAL DRAIN	-,CHLOROPRENE RUBBER,-,T2,W24	3	SA