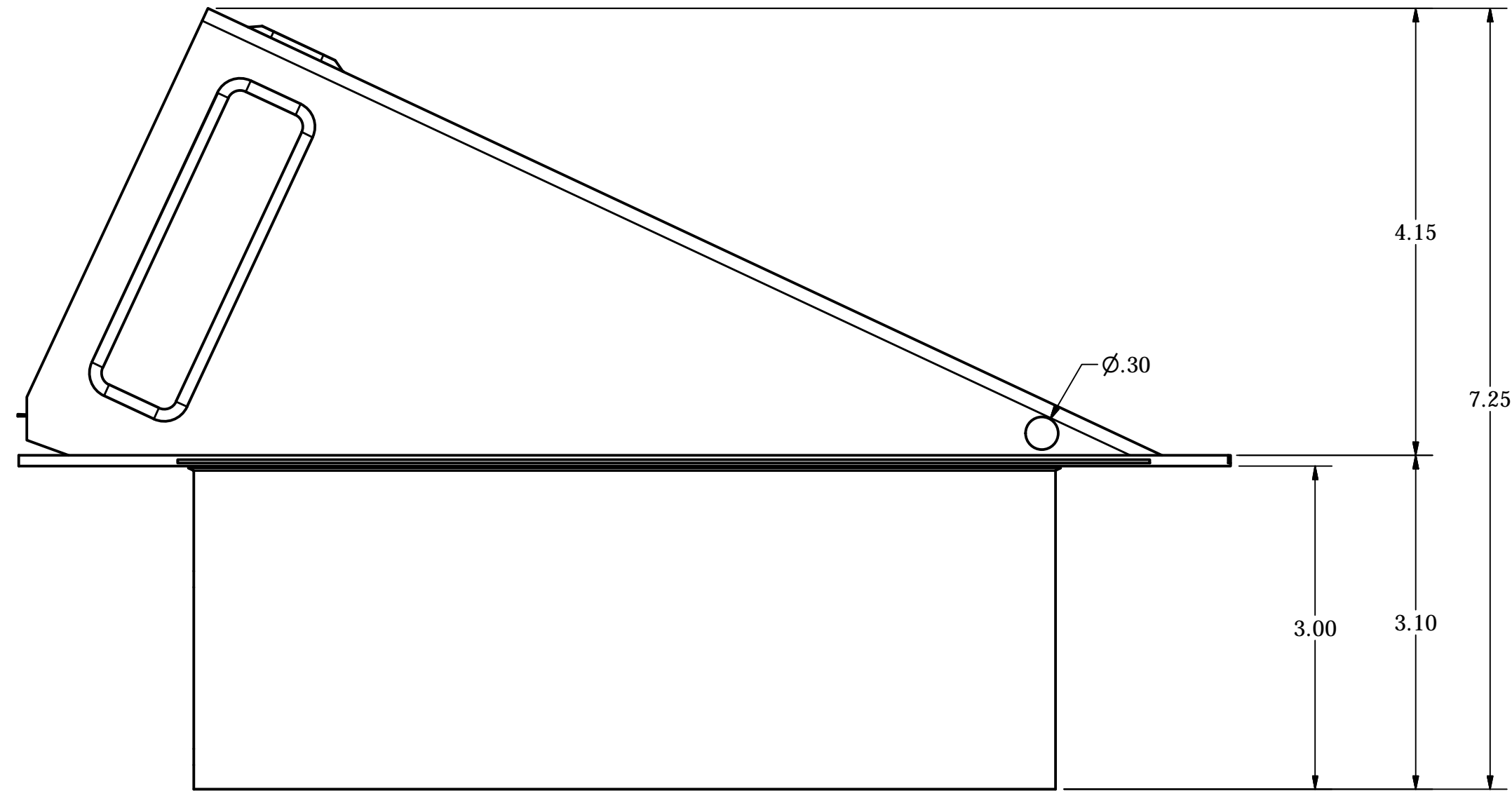
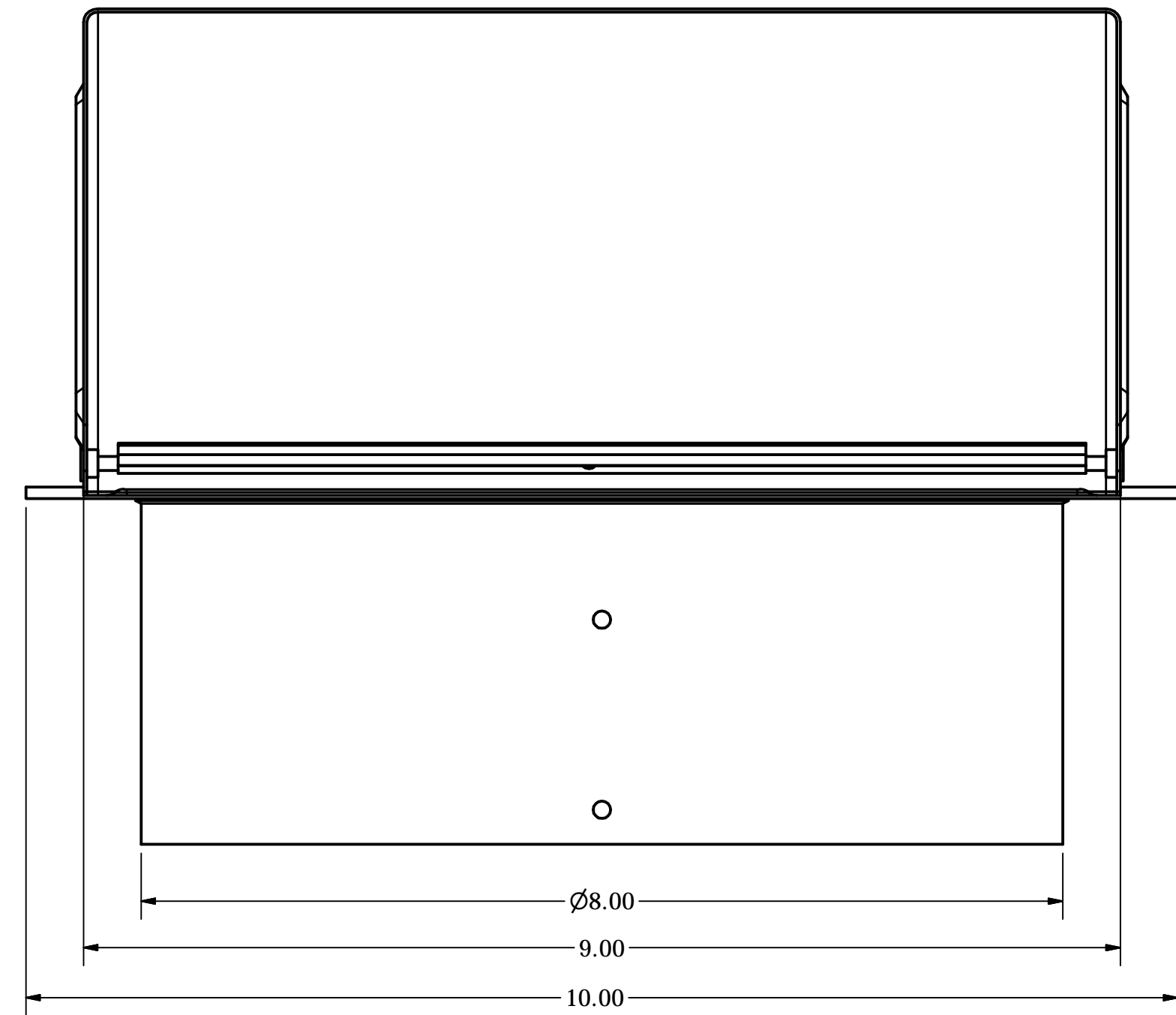
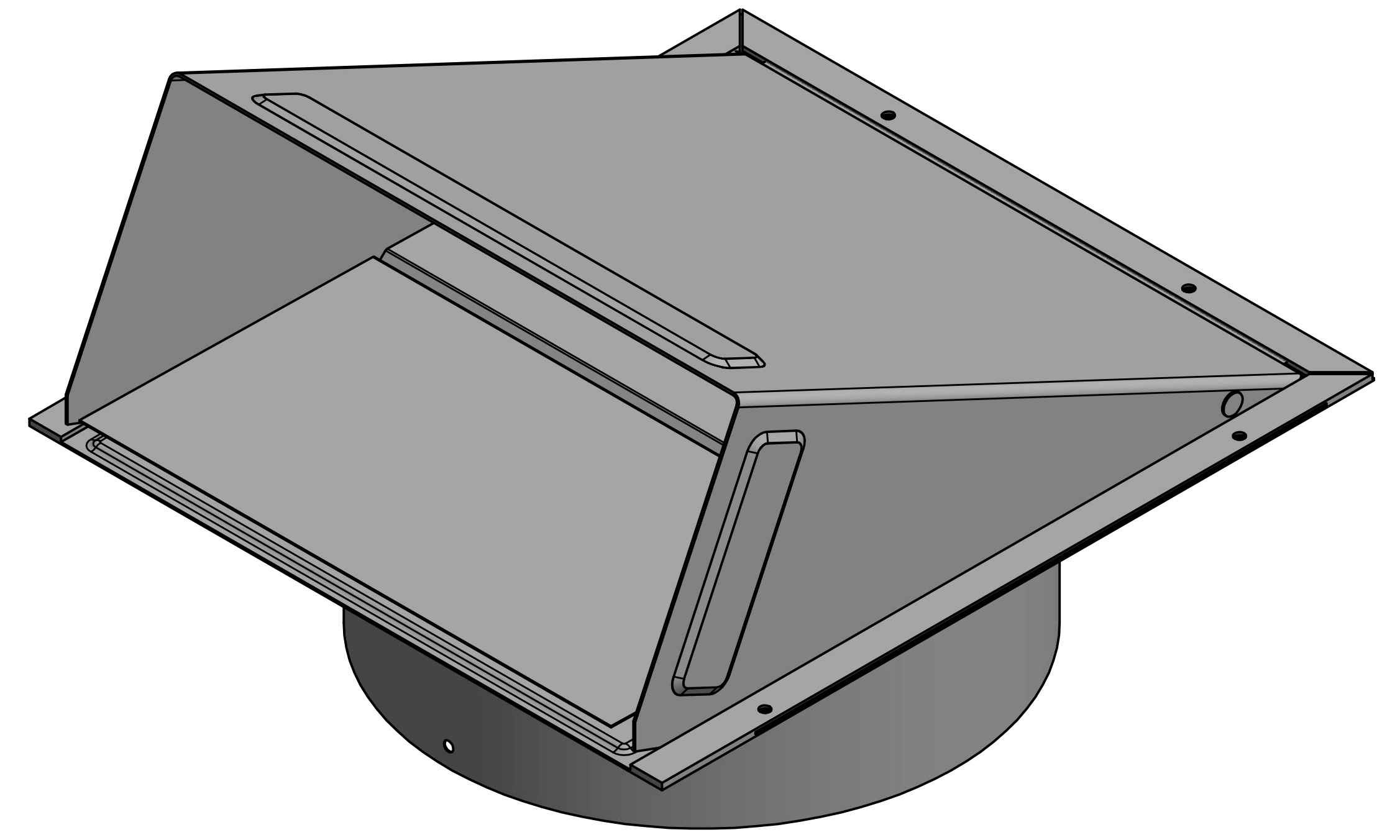
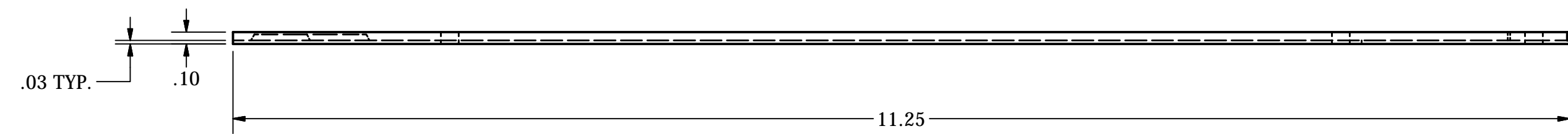
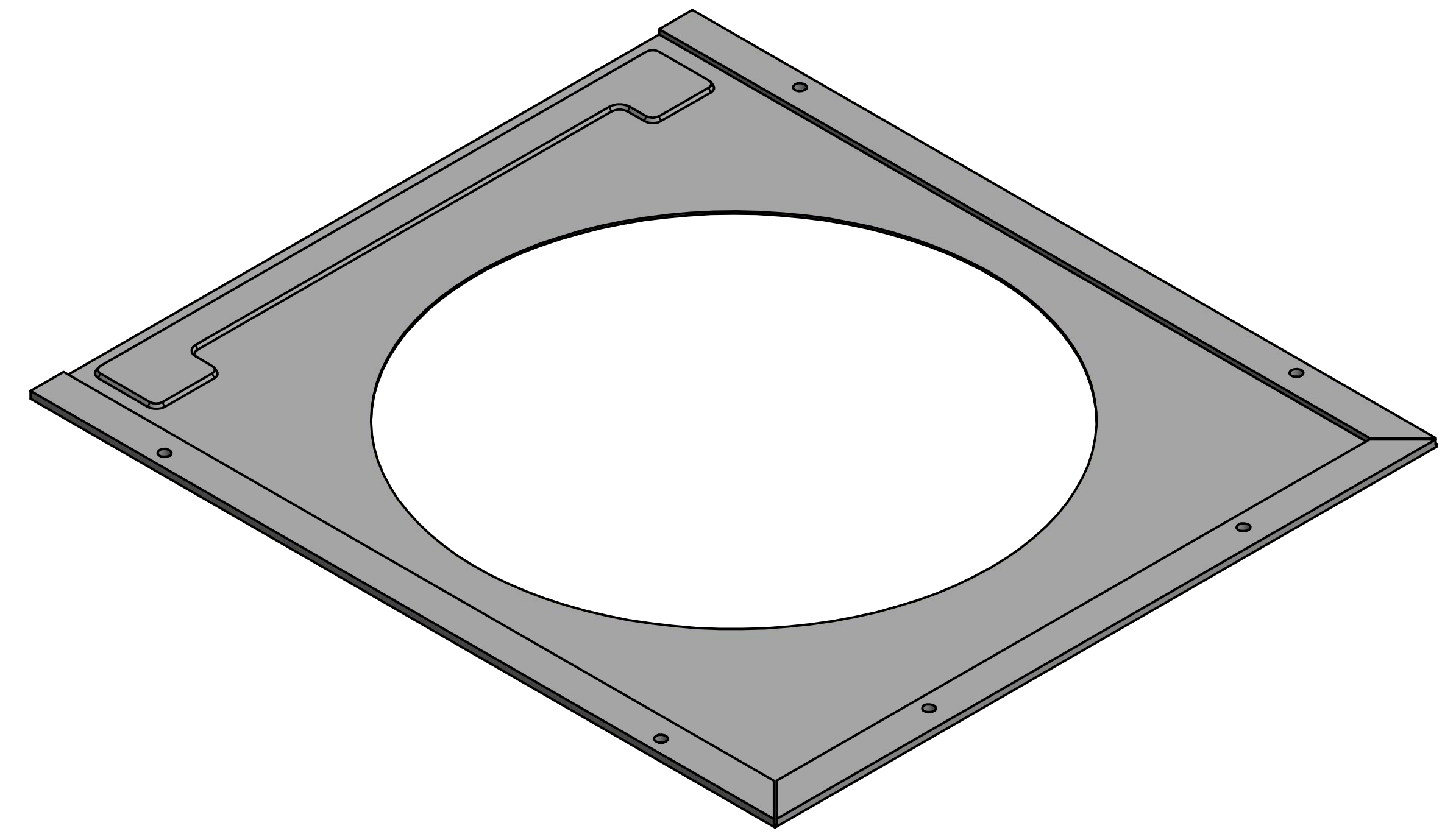
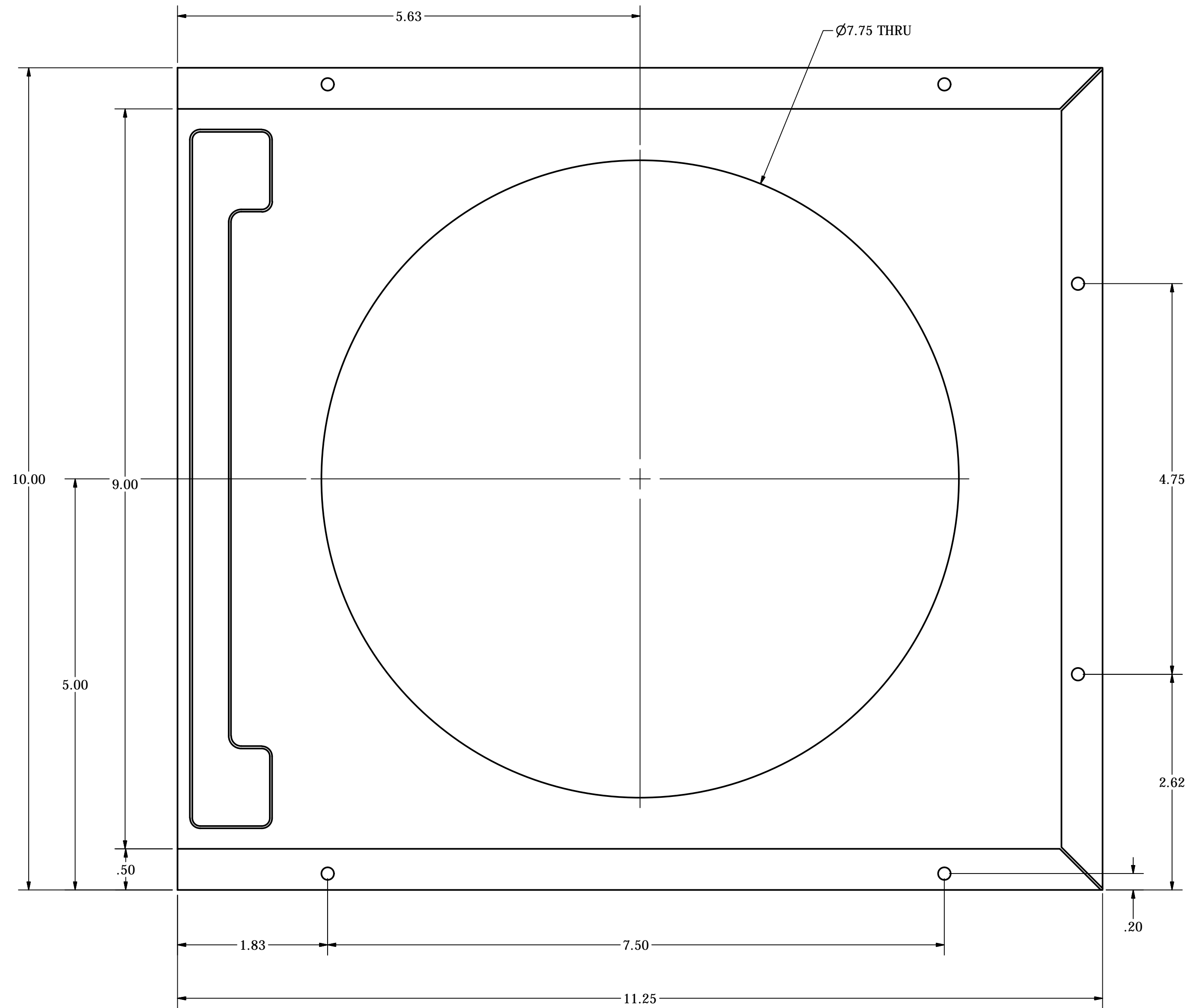


RIVITED CONNECTION (x8)

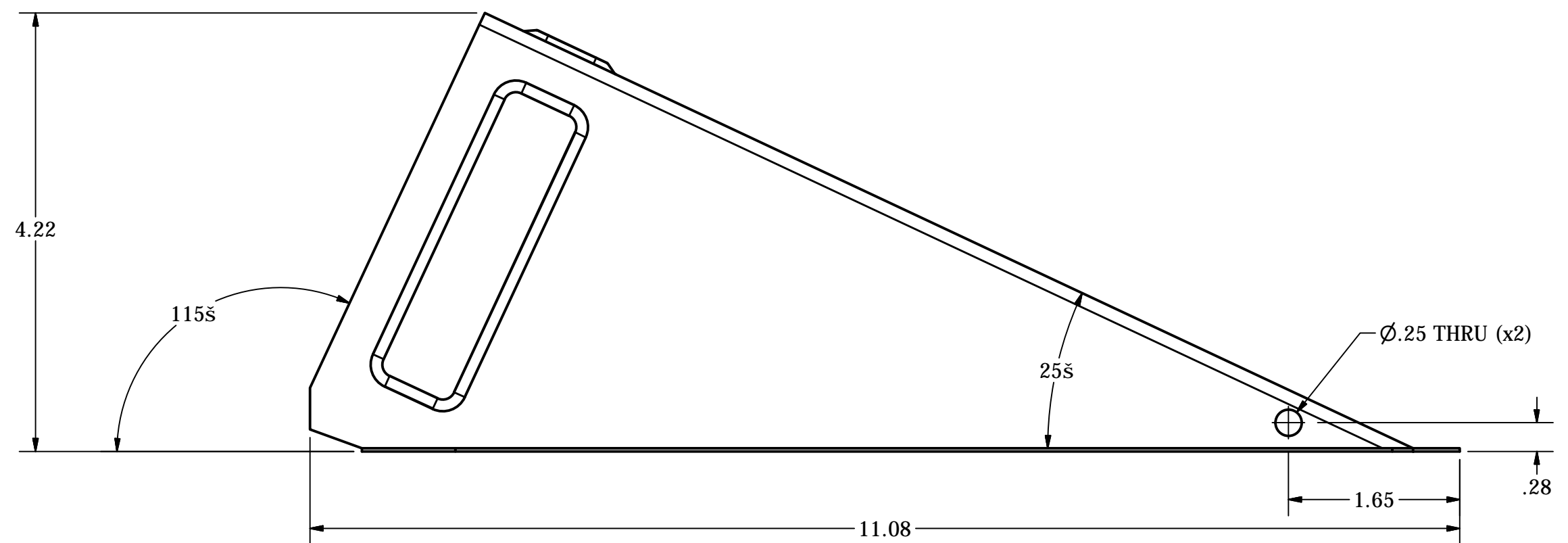
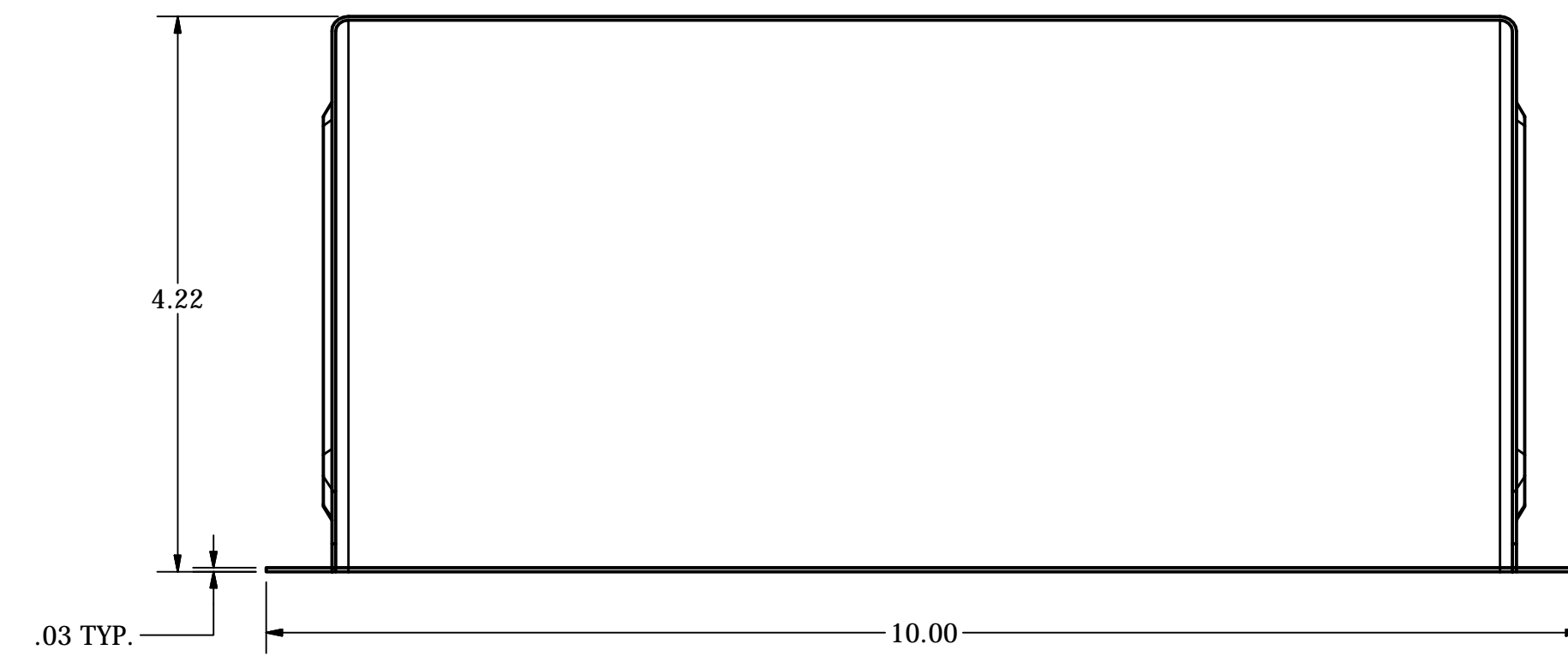
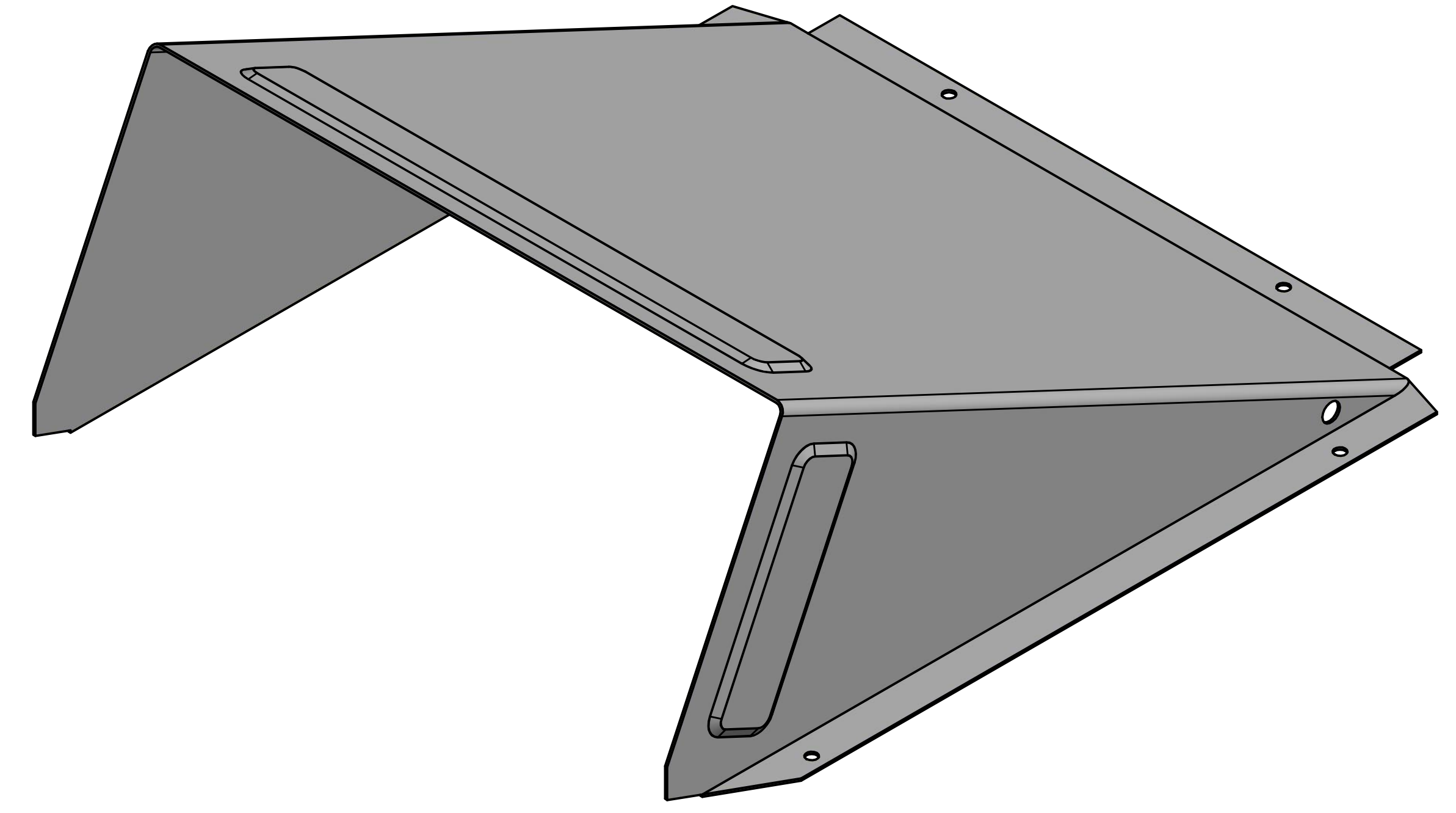
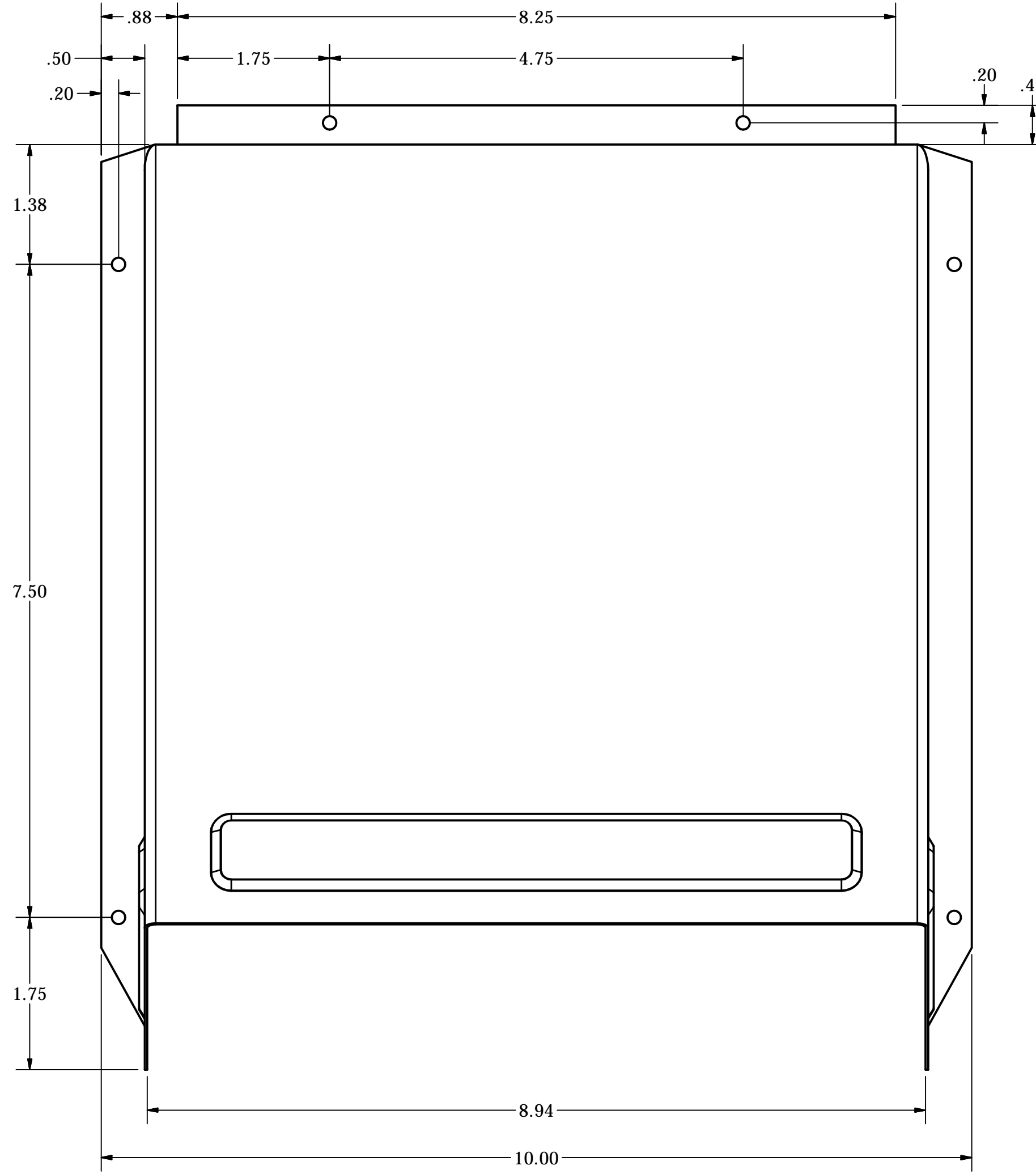



DRAWN BY J. VALENTI		3/1/2017		LAMBRO INDUSTRIES, INC.	
SIZE D	DWG NO 348 ASSEMBLY		REV		
NOT TO SCALE			SHEET 1 OF 1		

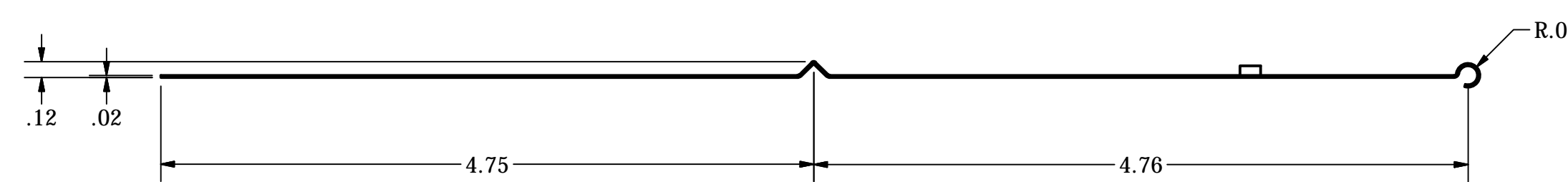
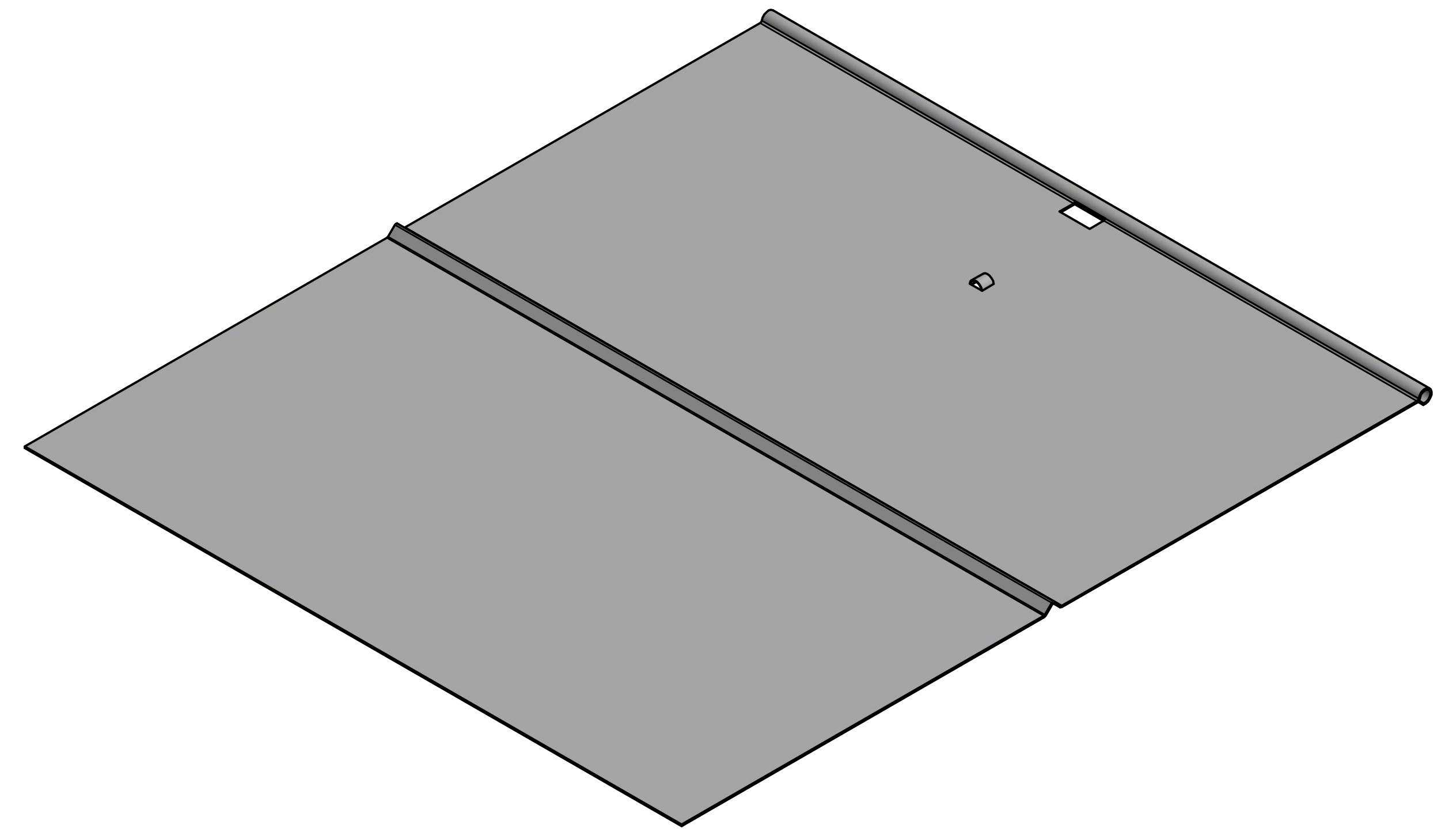
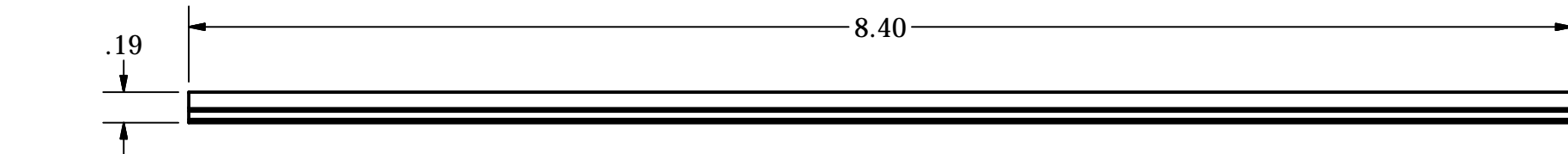
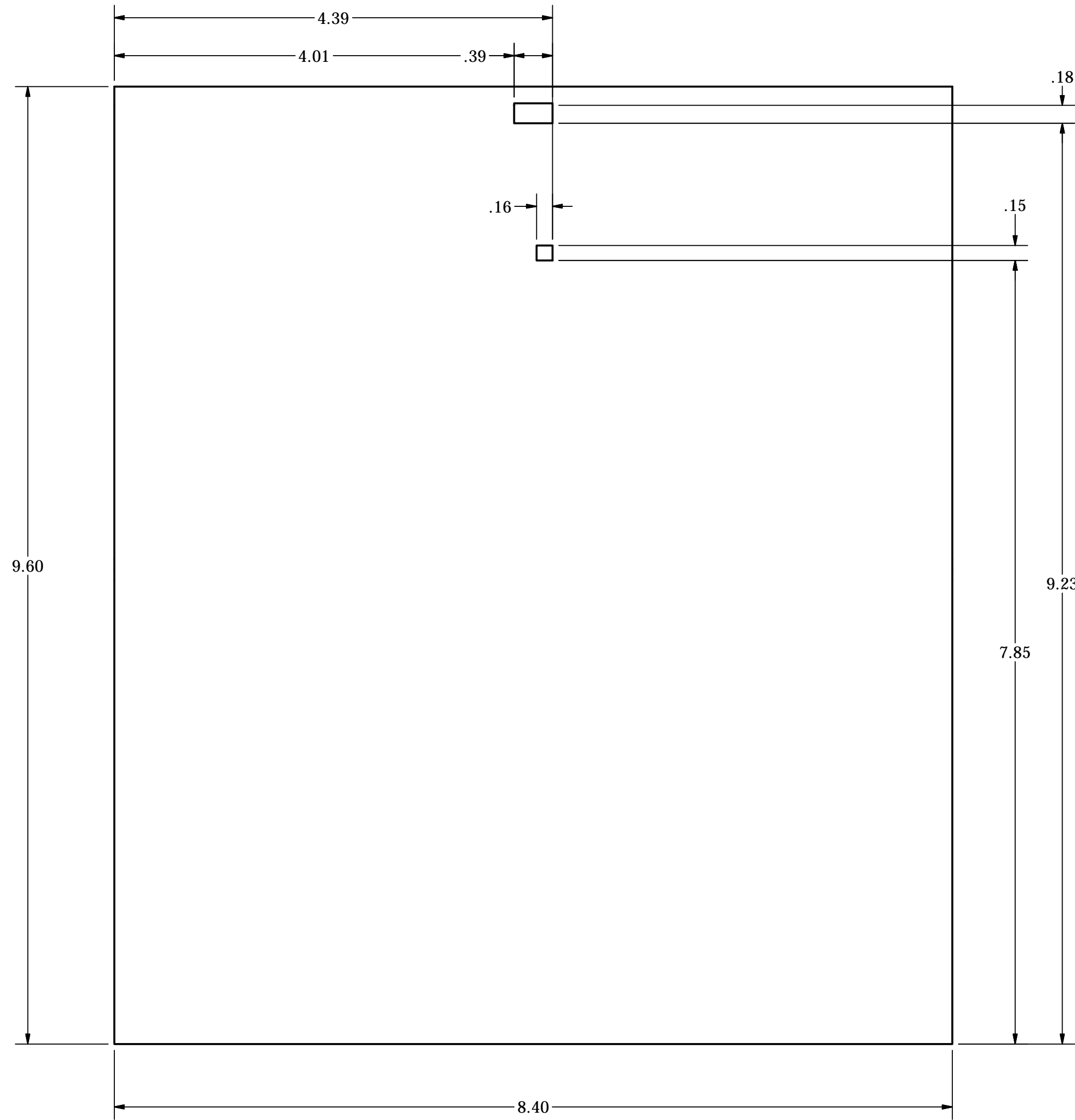



DRAWN BY J. VALENTI		3/1/2017		LAMBRO INDUSTRIES, INC.	
TITLE 348 - 8" Aluminum Wall Cap - BASE					
SIZE D	DWG NO 348 BASE		REV		
NOT TO SCALE			SHEET 1 OF 1		





DRAWN BY J. VALENTI		3/1/2017		LAMBRO INDUSTRIES, INC.	
					
SIZE D	DWG NO 348 COVER			REV	
NOT TO SCALE				SHEET 1 OF 1	



DRAWN BY J. VALENTI		3/1/2017		LAMBRO INDUSTRIES, INC.	
					
SIZE D	DWG NO 348 SPRING LOADED FLAP		REV		
NOT TO SCALE			SHEET 1 OF 1		